

# YOUNG JIN IND SCRUBBER LINE UP



## Technology for the Better Environment, Company for the Better Future

YOUNGJIN IND in Korea can bring you much cleaner global environment by using Plasma Scrubber System. SK hynix Semiconductor & Dongbu Hitek compliment on our High efficient and Eco-friendly system.



[www.youngjinind.co.kr](http://www.youngjinind.co.kr)

## Plasma Gas Scrubber Line Up (1)

- Remove flammable, corrosive and toxic gases, including PFCs generated during semiconductor/LCD panel processing by using thermal plasma.



1. HPS-04M  
(2016Y)



2. HPS-04R  
(2014Y)



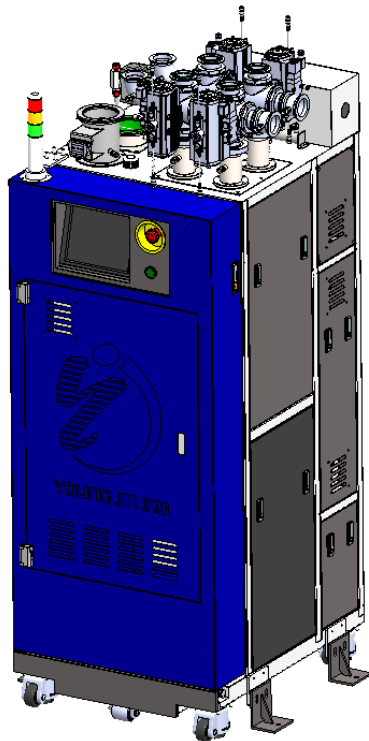
3. HPS-04S  
(2012Y)



4. HPS-04  
(2006Y)

## Plasma Gas Scrubber Line Up (2)

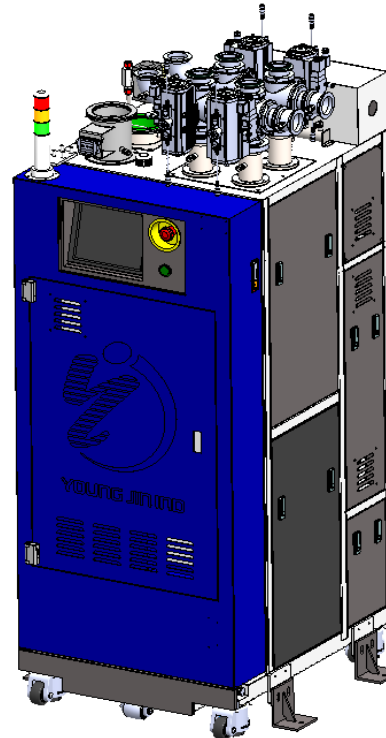
- New Concept of Plasma Scrubber



5.HPS-04F

### Main Concept

- 1) CW Unused
- 2) Miniaturization (30% ↓)  
compared to HPS-04M
- 3) Wastewater Reduction
- 4) Corrosion Reduction
- 5) Maintenance Method  
: Module Swap



6.HPS-04U

### Main Concept

- 1) Use less CW (< 1LPM),
- 2) Miniaturization (30% ↓)  
Compared to HPS-04M
- 3) Wastewater Reduction
- 4) Corrosion Reduction
- 5) Use Water Tank  
Instead of Cooling Module in  
HPS-04F  
(Possible Module Switch)
- 6) Maintenance Method  
: Module Swap

## Plasma Gas Scrubber Line Up (3)

- Vacuum Pump & Scrubber Integrated Type  
An Integrated system of Vacuum Pump and Scrubber (IPS Series).



10.IPS-02  
(2015Y)



11.IPS-04

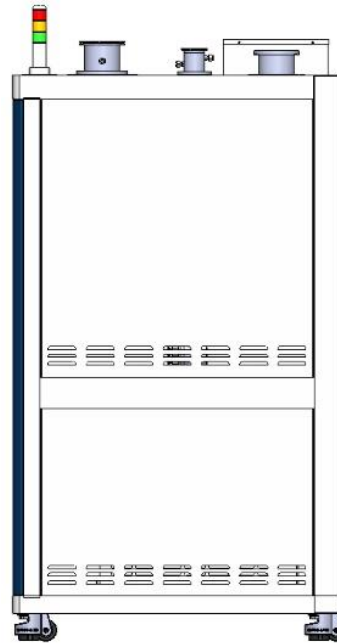
# Products— PFCs Gas Abatement System

YOUNG JIN IND

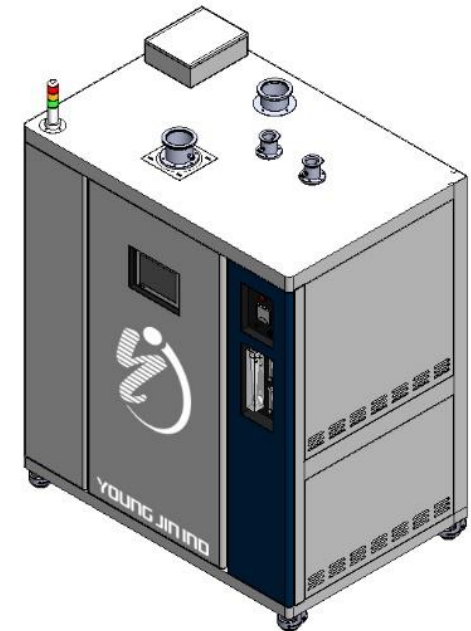
## Heat Wet Scrubber Line Up (4)



Front



Side



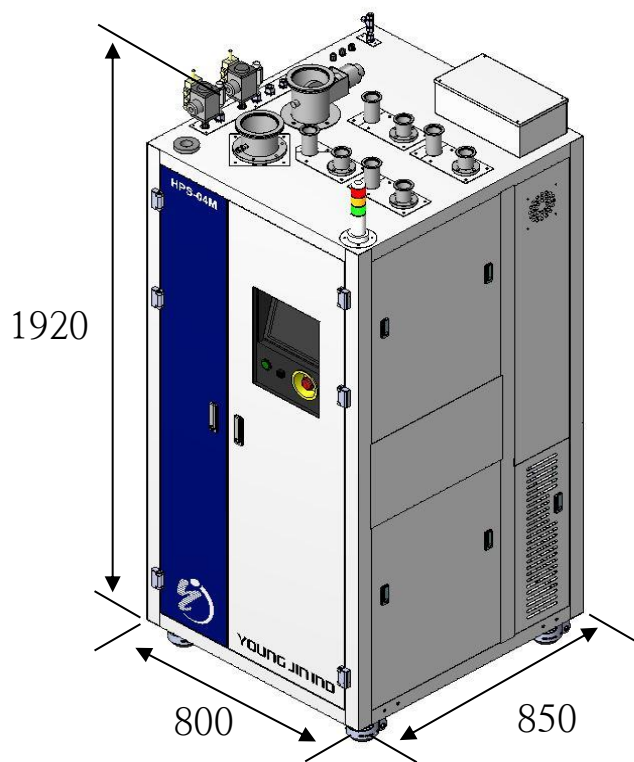
Bird View

7.YHS-15

## 1. Scrubber (Gas Abatement System) とは？

半導体,LCDの製造工程にて使われてる有害のPFCs系列GasをThermal Plasmaによる安全に分解処理するSystem

## 2. HPS-04M主な仕様

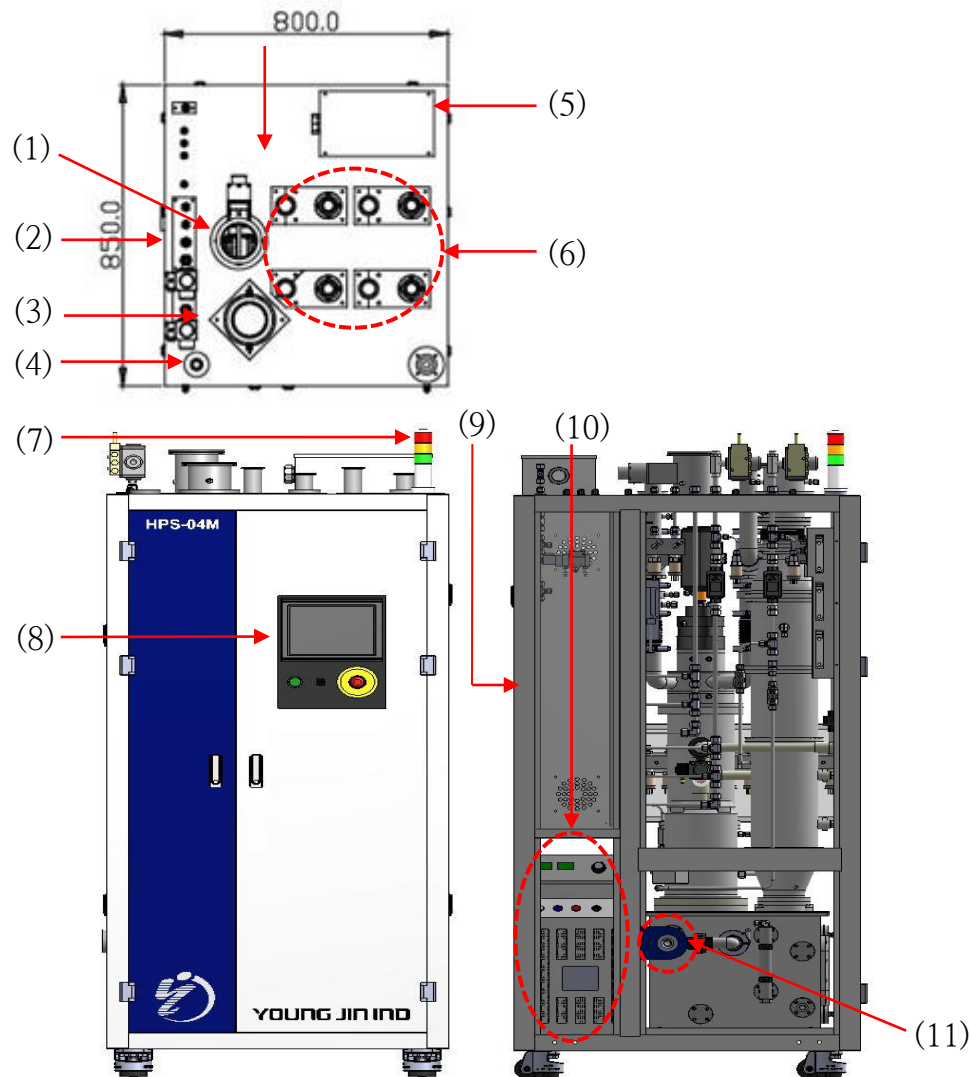


< Image of HPS-04M >

Contents	Specifications
Type	Plasma Wet
Dimension	800(W) x 850(D) x 1920(H) (unit : mm)
Capacity	400 LPM
Weight	540 kg
Inlet	NW40 X 4Port
Outlet	MF100 X 1Port
Drain	Power & Natural Drain

\* Height: From Caster To Auto V/V

## 3. 装置外形図及びSection



No	Name
1	Thermal Exhaust Port
2	Utility Port
3	Gas Outlet Port
4	HF Drain
5	Power Box
6	Gas Inlet Port
7	Tower Lamp
8	Touch Screen
9	Main Power Part
10	Power Supply
11	Over Flow